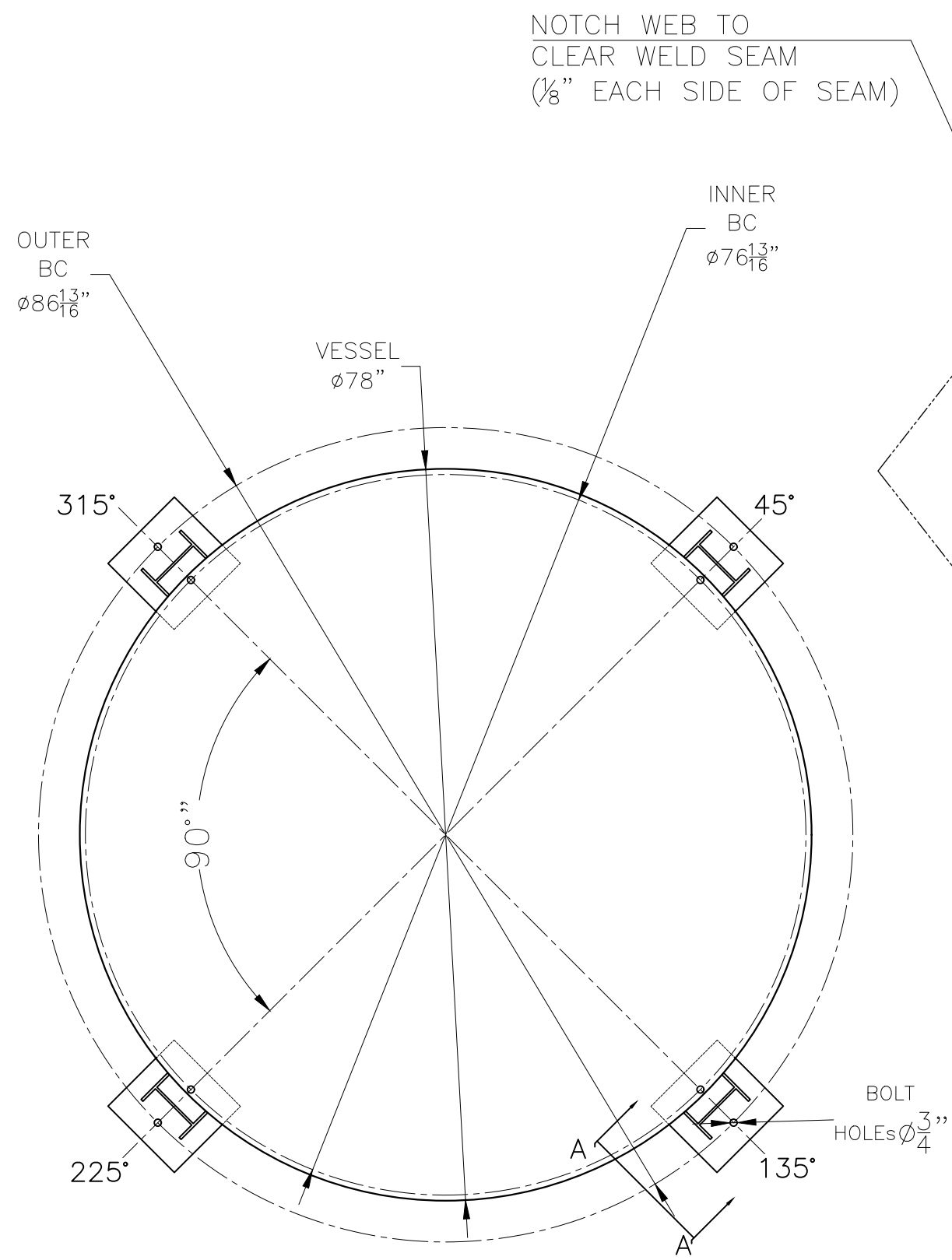
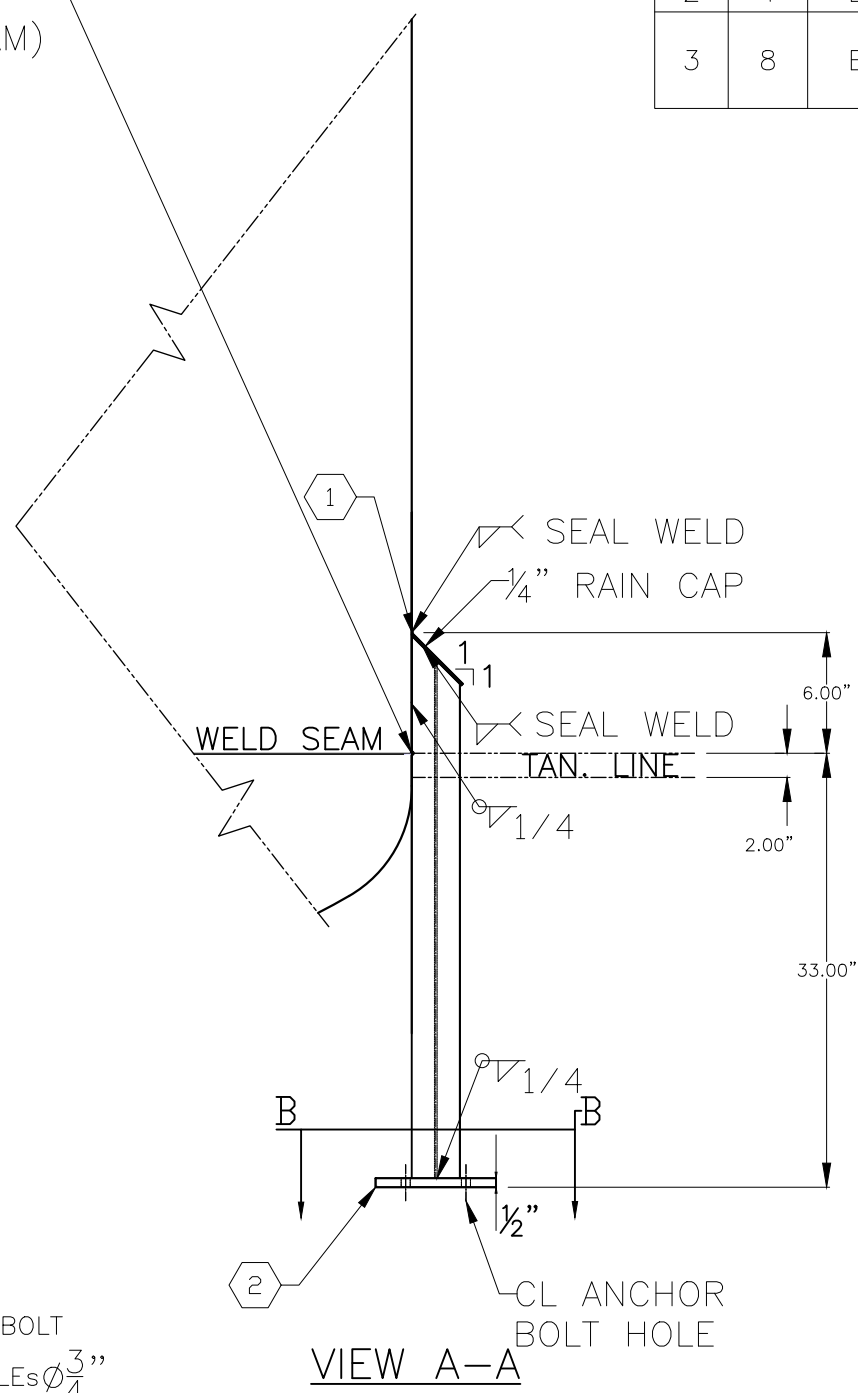


BILL OF MATERIAL

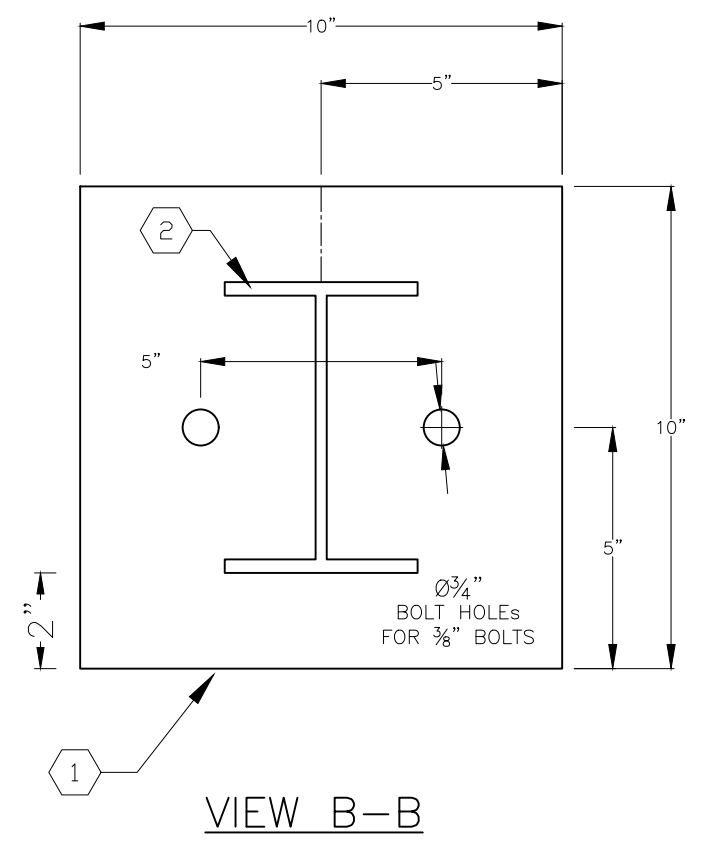
NO	QTY	UNITS	DESCRIPTION	MATERIAL SPEC
1	4	EA	PL-1/2 10"x10"	SA-36
2	4	EA	W6x12 39"	SA-36
3	8	EA	3/8" UNC COARSE THRD BOLTS 3 1/8" L W/ DOUBLE NUTS AND WASHERS	SA-193-B7



PLAN VIEW OF SUPPORTS



VIEW A-A



VIEW B-B